

DIGITAL MULTIMETER NEW POCKET MULTIMETER **VA25B**



The VA28B multimeter is a handheld device which can auto scan voltage, electrical current, resistance and continuity. Measuring diode and temperature with features including torch and NCV (Non-contact voltage).

FEATURES

- NCV Test
- LIVE Test
- Current Mis-plug Alarm
- Continuity Buzzer
- Data Hold



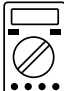



SPECIFICATIONS

See the tables below for product specifications.

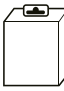


Product Specifications			
AC Voltage	600V	Resistance	20MΩ
DC Voltage	600V	Display Counts	1999
AC Current	10A	Temperature	-200°C~1200°C
DC Current	10A		

* Subject to change without notification.


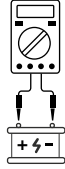

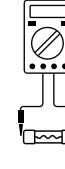
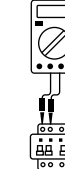



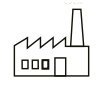
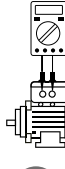







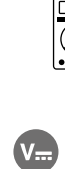
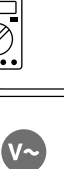
CONTENTS

	L130 x W63 x D33mm L5.1" x W2.5" x D1.3" 120g/ 0.26lb		1.5V Battery AAA x 2
	Test Leads K-type Thermocouple Battery		User Manual

PACKAGING INFORMATION

	Box L 153 X W 105 X H 40mm		
	Carton Box 44.5 X 43 X 33cm		X 80Pcs

MAIN APPLICATIONS

	   
Domestic	  
	 
Industrial	    
	 
Electronics	